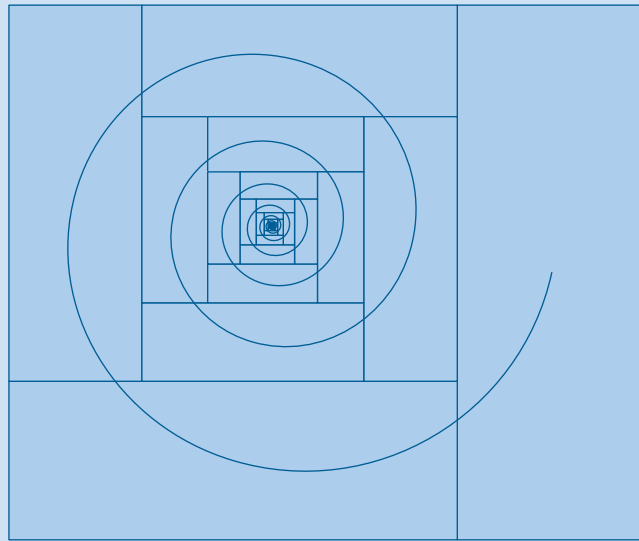


# TEX Gyre: The New Font Project



Debrecen, July 4–8th, 2006

*Bogusław Jackowski, Janusz M. Nowacki, Jerzy B. Ludwichowski*

# What is the T<sub>E</sub>X Gyre project about?

## What is the T<sub>E</sub>X Gyre project about?

It is, in a way, a continuation of two LUG projects: one already accomplished and the other currently suspended.

## What is the T<sub>E</sub>X Gyre project about?

It is, in a way, a continuation of two LUG projects: one already accomplished and the other currently suspended.

The former is the Latin Modern family of fonts, i.e., a collection of 92 fonts (72 text and 20 math ones) in the POSTSCRIPT Type 1 and OTF formats, based on the Computer Modern fonts, equipped with a rich repertoire of diacritical characters.

## What is the T<sub>E</sub>X Gyre project about?

It is, in a way, a continuation of two LUG projects: one already accomplished and the other currently suspended.

The former is the Latin Modern family of fonts.

The latter is a GUST project, launched in 1996, aimed at supplementing Adobe's 35 basic fonts with a rich repertoire of diacritical characters (the working name was *Qfonts*).

## What is the T<sub>E</sub>X Gyre project about?

It is, in a way, a continuation of two LUG projects: one already accomplished and the other currently suspended.

The former is the Latin Modern family of fonts.

The latter is a GUST project, launched in 1996, aimed at supplementing Adobe's 35 basic fonts with a rich repertoire of diacritical characters.

licence: openware, namely,  
GUST Font (No)Source License  
maintainers: B. Jackowski and J.M. Nowacki, GUST

# The fame of the names



## The fame of the names

The source for the work will be the available openware fonts, most notably the collection released by URW++ and distributed with Ghostscript.

## The fame of the names

The source for the work will be the available openware fonts, most notably the collection released by URW++ and distributed with Ghostscript.

Unfortunately, the original Adobe names cannot be retained due to copyrights and registered trademarks issues. URW names, on the other hand, are somewhat incongruous. Therefore we decided to coin new names, mnemonic to some extent, consistent within the project.

## The names of the game

Origin	PS name	TFM name (kernel)
ITC Avant Garde Gothic	TeXGyreAdventor	qag
ITC Bookman	TeXGyreBonum	qbk
Courier	TeXGyreCursor	qcr
Helvetica	TeXGyreHeros	qhv
Palatino	TeXGyrePagella	qpl
Times	TeXGyreTermes	qtm
New Century Schoolbook	TeXGyreSchola	qcs
ITC Zapf Chancery	TeXGyreChorus	qzc

## The names of the game

Origin	OTF name
ITC Avant Garde Gothic	TeX Gyre Adventor
ITC Bookman	TeX Gyre Bonum
Courier	TeX Gyre Cursor
Helvetica	TeX Gyre Heros
Palatino	TeX Gyre Pagella
Times	TeX Gyre Termes
New Century Schoolbook	TeX Gyre Schola
ITC Zapf Chancery	TeX Gyre Chorus

## TeX Gyre Pagella: glyphs

A a A Á á Á Ā ā ā Ā ā ā Ą ą ą Ą ą ą Ā ā ā Ā  
 ă ă Ă ă ă Â â Â Ã ă ă Ă ă ă Â â â Ă ă ă  
 ã ã ã ´ ´ ´ À à à Ä ä ä Ą ą ą Æ æ Æ æ Æ  
 Ě ě Ě А Б В Г Д Е Ё Ж З И Й К Л М  
 Н О П Р С Т У Ф Х Ц Ч Ш Щ Ъ Ы Ь Э  
 Ю Я Г Т Ѓ Є Ś І Іі Ј Л Н Т Ѐ Ў а б в г д  
 е ё ж з и й к л м н о п р с т у ф х ц ч  
 ш щ ъ ы ь э ю я г т ѓ є ś і іі ј л н т ґ ў Ш  
 ш э À à à Ā ā ā α Ā ā ā & & < > Ā ą Ā  
 Ą ą Ą ≈ Ā ā ā Ā ā ā ↓ ← → ↑ ^ ~ \* \* @  
 @ Ā ā ā В в в \ ₤ | β ○ Ъ \* {} [] ~ ~ ~ ~ ~  
 ~ ~ ~ ~ ~ | • С с с Ć ć ć ˇ ˇ Č č č Ć Ć  
 Ć Ć Ć Ć Ć Ć , , ϕ ϕ °C ^ ^ ^ ^ ^ ^ ^ ^ ^ ^ ^ ^ :

## TeX Gyre Pagella: glyphs

© , , © © ı D d D † ‡ đ ¶ ] ^ ˘ ˇ || ǰ ǵ ǆ  
Đ đ Đ ° Δ δ Ø † ˇ ˇ ˇ ˇ % ÷ o|o đ \$ \$ đ ˙ ˙ ı I J  
J d' E e E É é É Ě ě Ě Ě ě Ě Ê ê Ê Ě ě Ě Ě ě Ě  
Ê ê Ê Ě ě Ě Ě ě Ě Ě ě Ě Ě ě Ě Ě ě Ě Ě ě Ě Ě ě  
È è È Ě ě Ě Ě ě Ě Ě ě Ě Ě ě Ě Ě ě Ě Ě ě Ě Ě ě  
È Ě ě Ě Ě 8 8 8 8 ℓ ... Ē ē ē — — Ŋ ŋ Ŋ Ę ę Ę  
Ę ę Ę = e Đ đ Đ Ě ě Ě € ! ; F f F fk ff ffi ffl  
fi 5 5 5 5 fl f 4 4 4 4 // G g G Ğ ǵ Ƕ Γ Ğ ǧ  
ǧ Ğ ǧ ǧ Ğ ǵ Ğ ǵ Ğ Ğ ǵ Ğ Ğ ǵ Ğ ǵ Ƕ Ƕ Ƕ Ƕ  
ı ˘ ˘ > ≥ ≧ Ğ « » ‹ › H h H Ħ ħ H Ĥ ĥ Ĥ  
˘ ˘ ˘ ˘ - - - - = = I i I Í í Í Ĭ ĭ Ĭ Î î Î Ĩ ħ Ĩ  
İ i İ İ İ Ĭ ĭ Ĭ İ ĭ Ĭ İ ĩ İ İ Ĩ Ĩ İ İ ĩ İ İ İ İ İ İ İ Ĩ Ĩ  
ĩ J j J J j j J j j K k κ K k K k K L l L L l l  
Λ L l L l L l L l L l L l L l L l L l L l L l L l L l

## TeX Gyre Pagella: glyphs

Ł ł Ł M m M ⁻ ⁻ ⁻ ∞ ∪ − μ μ × ♪ N n N Ń  
 ń ń № Ń ń Ń N n N n N 9 9 9 9 № ≠ Ń  
 ñ ñ # O o o Ó ó ó Ö ö ö Ô ô ô Ô ô ô Ô ô  
 ô Ô ô ô Ô ô ô Ô ô ô Õ õ õ Ö ö ö O o o  
 Œ œ Œ œ Œ Œ Ò ò ò Ω Ó ó ó Ő ő ő Ő ő ő Ő ő ő  
 ő Ő ő ő Ő ő ő Ő ő ő Ő ő ő Ő ő ő Ő ő ő  
 Ω 1 1 1 1 ½ ¼ ¹ Q q q Q q q ° ° ∅ ∅ ∅ ∅  
 ∅ ∅ ∅ ∅ Ő ő ő P p P ¶ ¶ ( ) ∂ % . . ‰ ‰  
 ° P Φ Π π + ± Ψ © Q q Q ? ; { } " " " " ' '  
 ' , ' R r R R R R R R R R R R R R R R R  
 ř ř R ※ ® ® ° ° ° ° S s s Š š š Ś ś ś Ś ś ś Ś ś  
 š Š š š § ; <sup>SM</sup> 7 7 7 7 Σ 6 6 6 6 / £ Σ ‹ T t  
 T Ť ť ť T t T t T T ⊕ P p P 3 3 3 3 ¾ − ³ − −

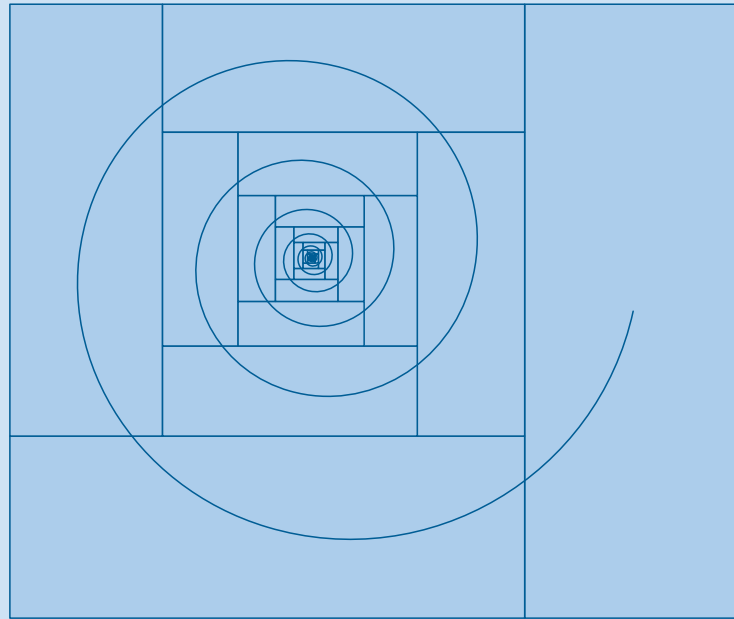
## TeX Gyre Pagella: glyphs

˘ ˘ ˘ ˘ ˘ ˘ € ™ – 2 2 2 2 ² U u u Ú ú ú Ũ  
ŭ ŭ Ū ū ū Ū ū ū Ū ū ū Ū ū ū Ū ū  
ù Ù ù ù Ù ů ů Ů ů ů Ů ů ů Ů ů ů Ů ů ů  
ű Ű ű ű Ű ů ů Ů ů ů Ů ů ů Ů ů ů Ů ů ů  
ƒ ƒ Γ γ Ж ж З з К к К к К к К к Н н Н  
н П п С с С с Т т Υ υ Υ υ Χ χ Ц ц Ч ч  
Ч ч Һ һ С с С с І Ж ж К к Н н Ч ч Ă ă  
Ă ă Æ æ Ę ę Ę ę Ż ż Ż ż Ż ż Ȳ ȳ Ȳ ȳ Ć ć Ъ ъ Ы ы  
ұ ұ Υ Ů ů ů Ů ŭ ŭ Ů ŭ ŭ Ů ŭ ŭ Ů ŭ ŭ Ů ŭ ŭ  
ŵ Ŵ ŵ ŵ Ŵ ŵ ŵ Ŵ ŵ ŵ Ŵ ŵ ŵ Ŵ ŵ ŵ Ŵ ŵ ŵ  
ŷ Ŷ ŷ ŷ Ŷ ŷ ŷ Ŷ ŷ ŷ Ŷ ŷ ŷ Ŷ ŷ ŷ Ŷ ŷ ŷ  
ÿ Ŷ ŷ ŷ Ŷ ŷ ŷ Ŷ ŷ ŷ Ŷ ŷ ŷ Ŷ ŷ ŷ Ŷ ŷ ŷ Ŷ ŷ ŷ



The pre-release version of T<sub>E</sub>X Gyre Pagella  
is available from:

<http://www.gust.org.pl/e-foundry/tex-gyre/qpl.htm>



The *T<sub>E</sub>X Gyre* project is supported by T<sub>E</sub>X Users Groups, in particular, by the Czechoslovak T<sub>E</sub>X Users Group CSTUG, the German-speaking T<sub>E</sub>X Users Group DANTE e.V., the Polish T<sub>E</sub>X Users Group GUST, the Dutch-speaking T<sub>E</sub>X Users Group NTG, TUG India, and—last but not least—TUG.